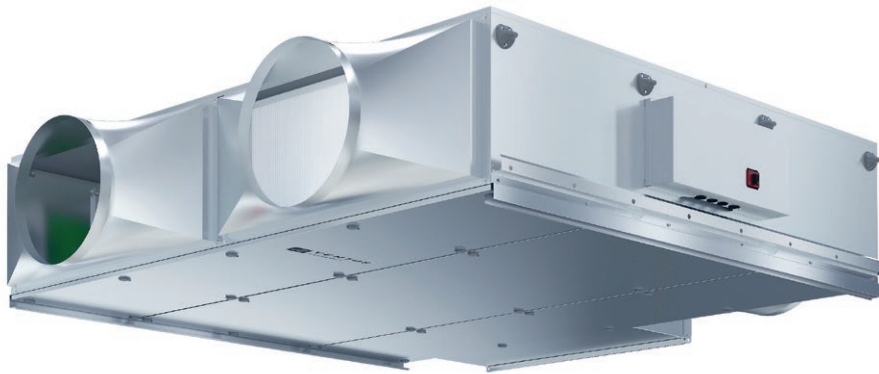




*ventus*

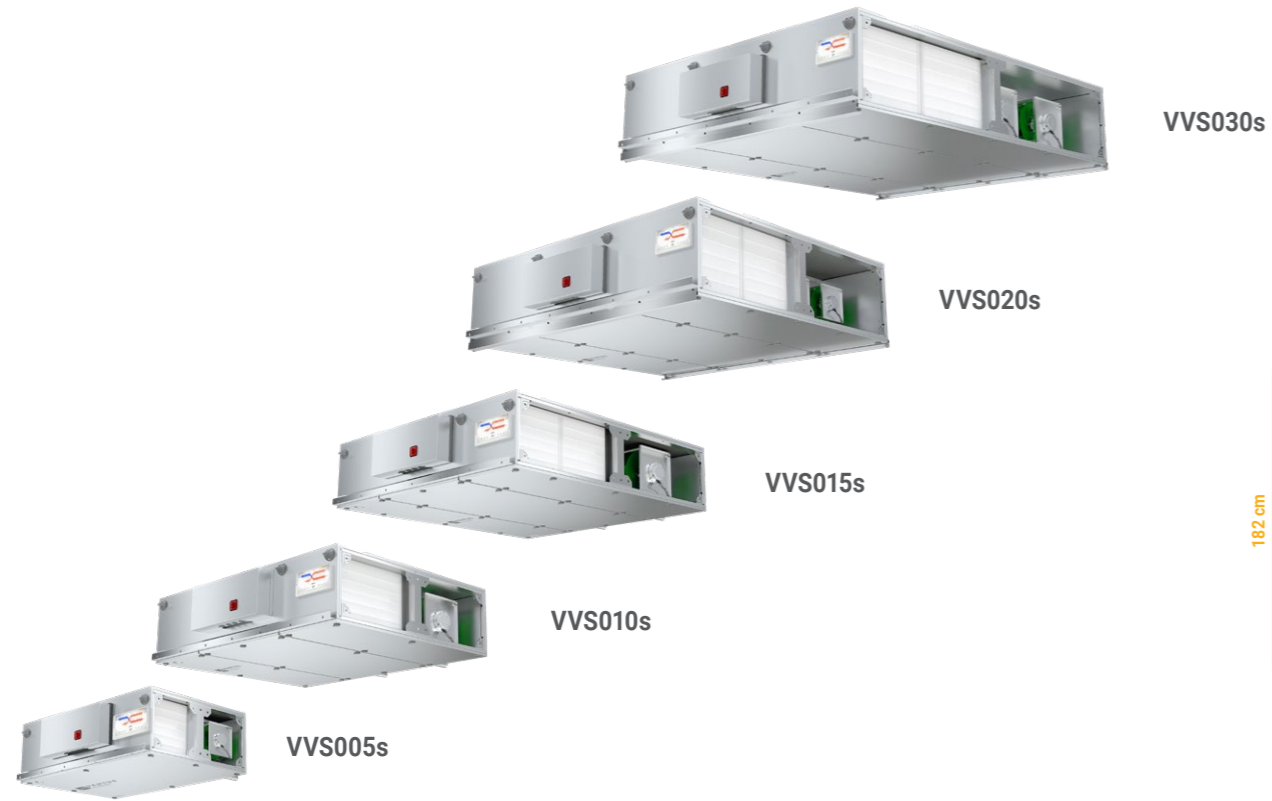
COMPACT  
2020



VENTUS MANAGEMENT SYSTEM



## SUSPENDED AIR HANDLING UNITS

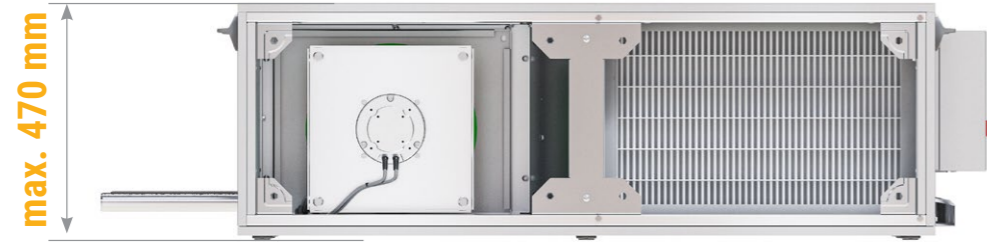


← 150 m<sup>3</sup>/h - airflow range - 3300 m<sup>3</sup>/h →

## FLOOR MOUNTED AIR HANDLING UNITS



← 840 m<sup>3</sup>/h - airflow range - 16 500 m<sup>3</sup>/h →

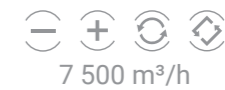


### > VENTUS Compact



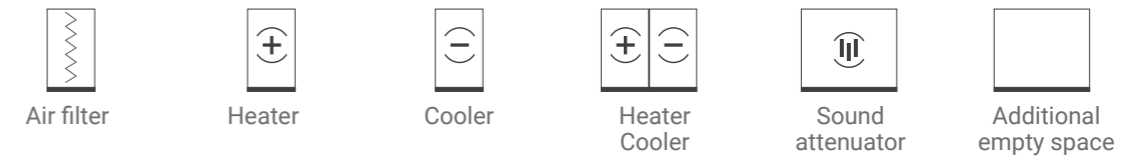
0,5L

### > Standard Air Handling Units



1L

## ADDITIONAL AIR TREATMENT FUNCTIONS



# VENTUS COMPACT SUSPENDED AIR HANDLING UNITS



up to **93%**  
recovery efficiency



# VENTUS COMPACT FLOOR MOUNTED AIR HANDLING UNITS



up to **86%**  
recovery efficiency



up to **93%**  
recovery efficiency



VENTUS Compact  
with rotary heat exchanger

VENTUS Compact  
with hex counter-flow heat exchanger



MINERAL WOOL  
INSULATION



HIGHLY EFFICIENT HEX  
COUNTER-FLOW  
HEAT RECOVERY



ENERGY SAVING  
AND SILENT FANS  
WITH EC MOTORS



PLUG&PLAY  
PRODUCT



INTEGRATED  
MULTIFUNCTIONAL  
CONTROLS



MINERAL WOOL  
INSULATION



HIGHLY EFFICIENT  
ROTARY AND  
HEX COUNTER-FLOW  
HEAT EXCHANGER



ENERGY SAVING  
AND SILENT FANS  
WITH EC MOTORS

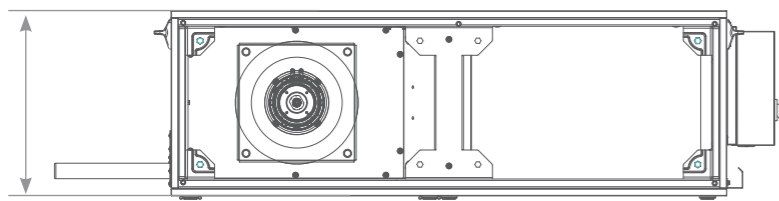


PLUG&PLAY  
PRODUCT

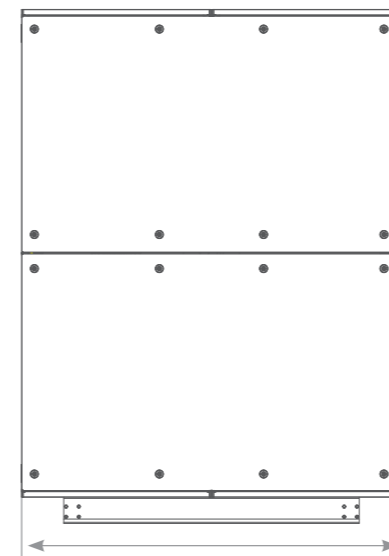
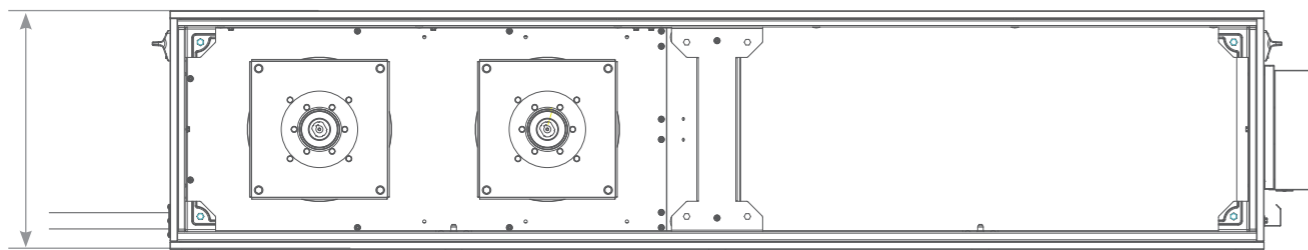


INTEGRATED  
MULTIFUNCTIONAL  
CONTROLS

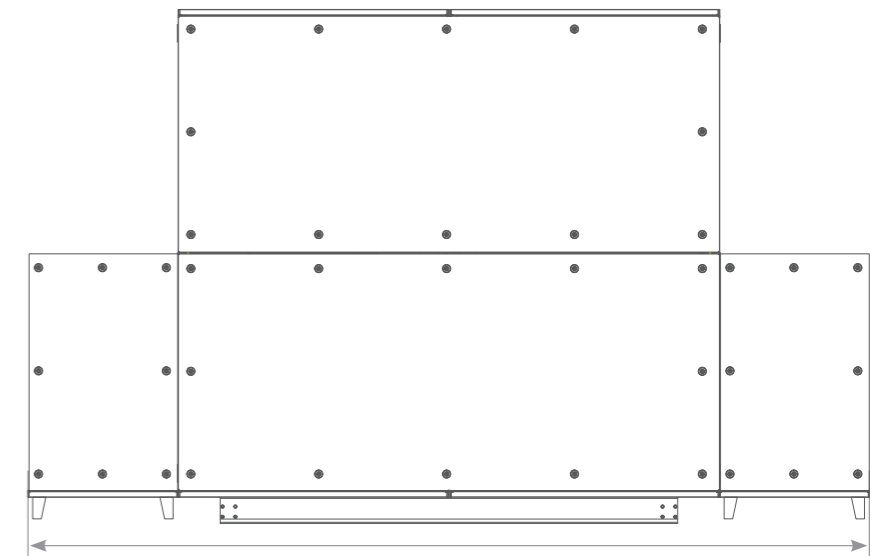
min. 380 mm



max. 470 mm



max. 1400 mm



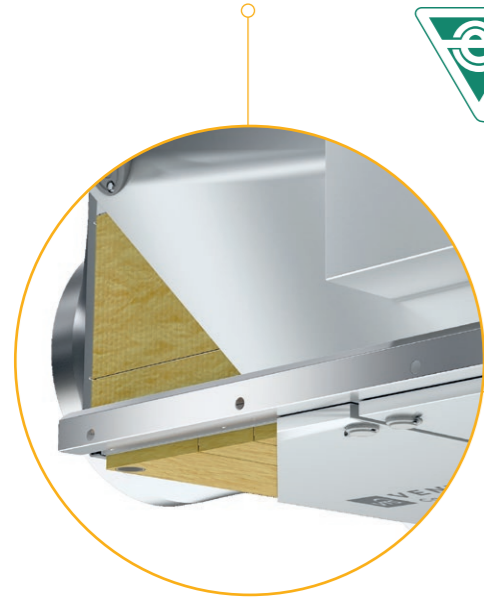
max. 2940 mm



# VENTUS COMPACT SUSPENDED AIR HANDLING UNITS

## CASING

- » Panels filled with mineral wool, enclosed with steel sheet on both sides.
- » Casing parameters according to EN 1886: T2, TB3, L1, D1, F9.



## EC MOTORS

Efficient, silent and low vibrations fan with electronically commutated motor in a IE4 class.

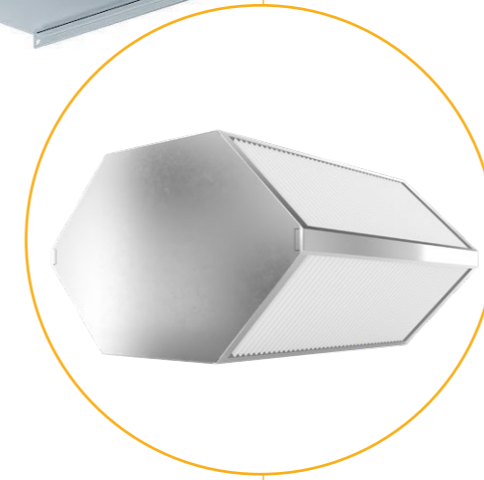
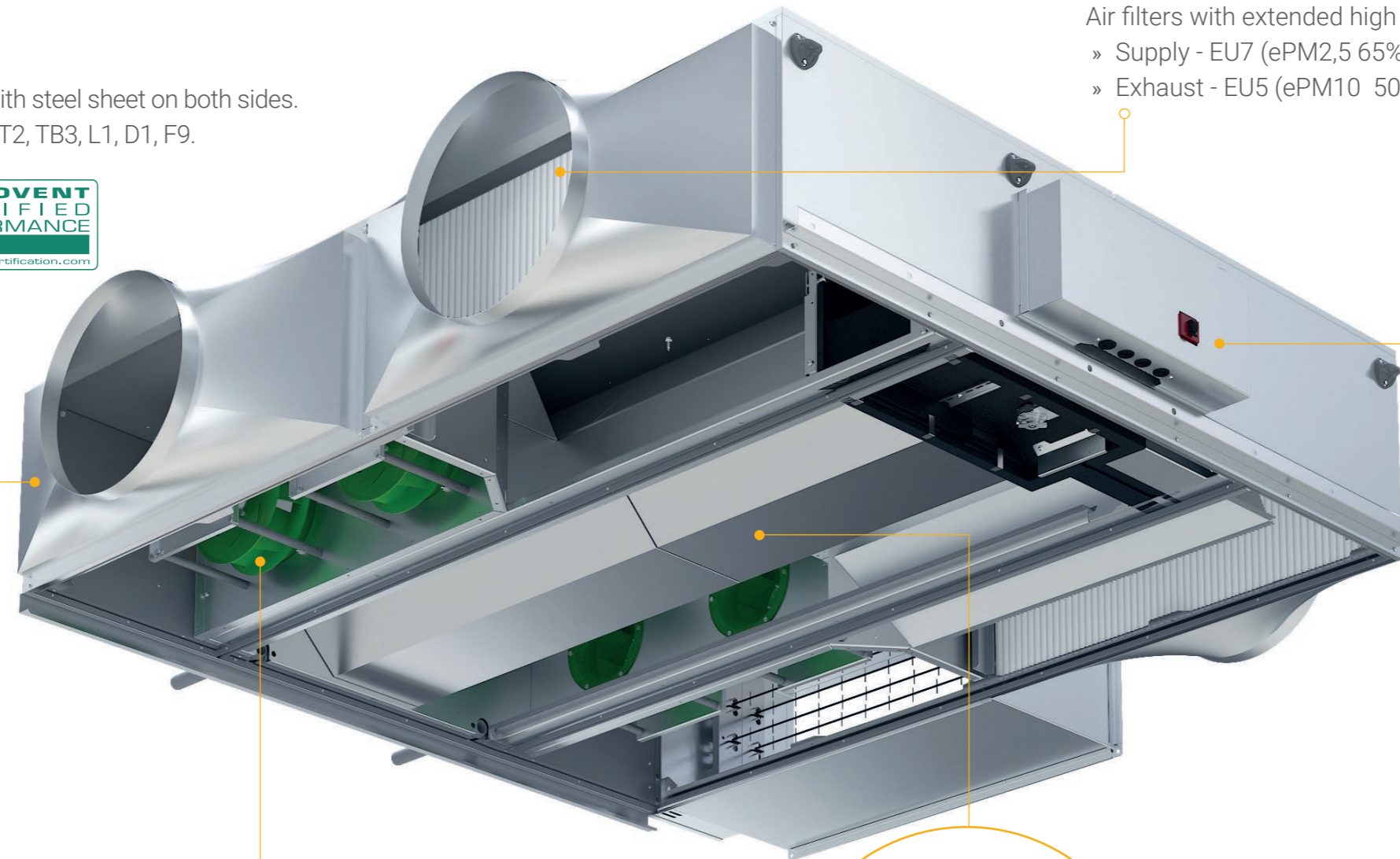


up to **93%**  
drive efficiency

## MINI-PLEAT FILTERS

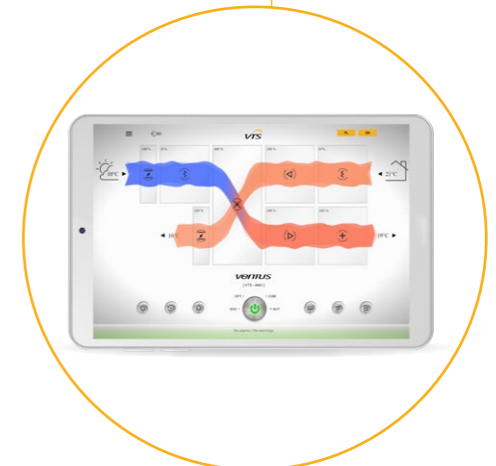
Air filters with extended high efficiency filtration surface.

- » Supply - EU7 (ePM2,5 65%)
- » Exhaust - EU5 (ePM10 50%)



## ENERGY RECOVERY

- » Highly efficient counterflow hex recovery with by-pass.
- » Recovery efficiency reaching 93%



## CONTROLS

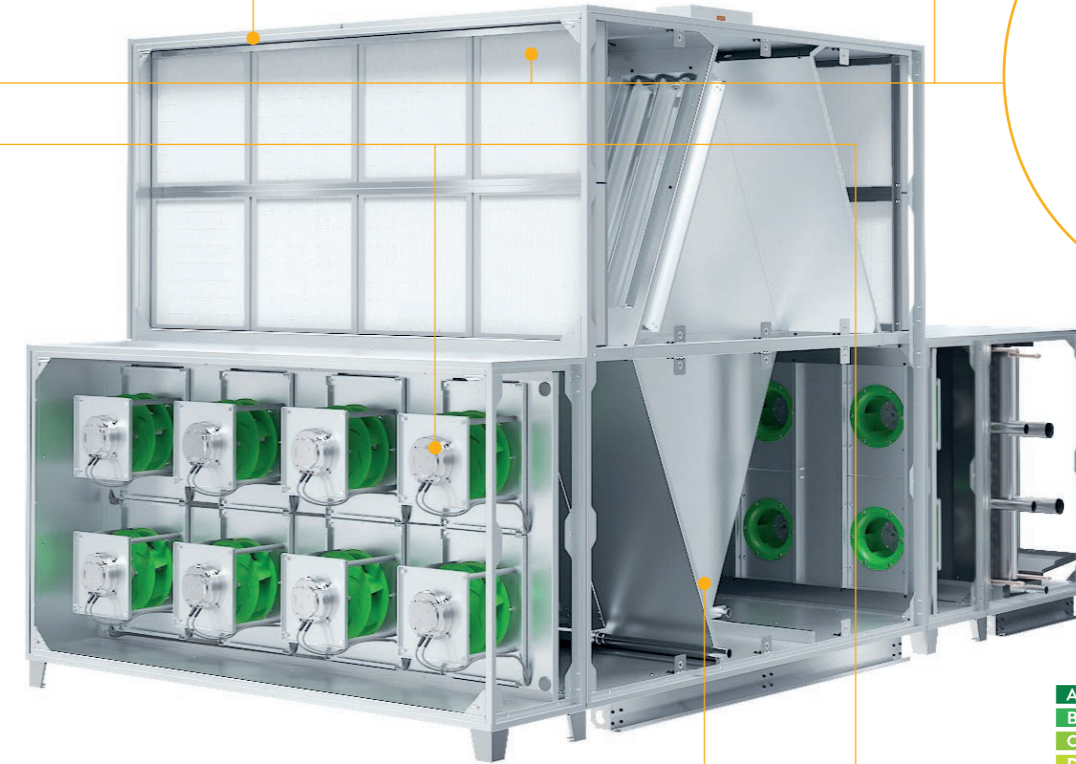
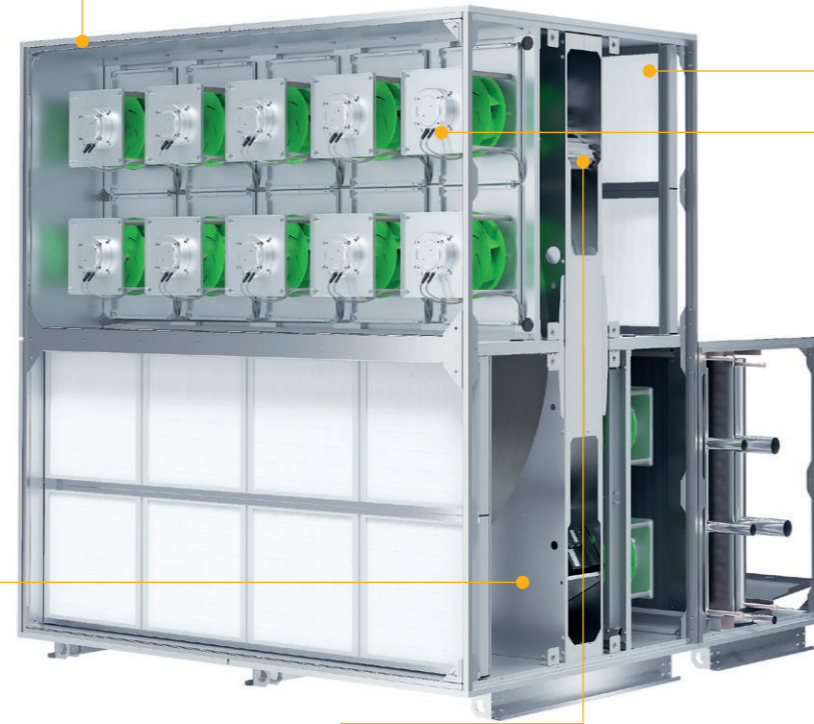
Multifunctional controls, integrated with the unit – fully pre-configured and ready to run.



# VENTUS COMPACT FLOOR-MOUNTED UNITS

## CASING

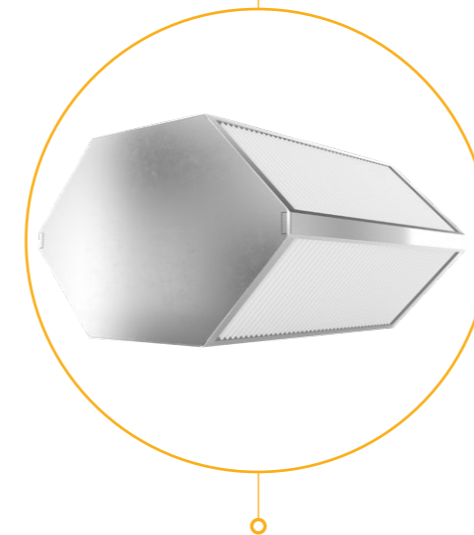
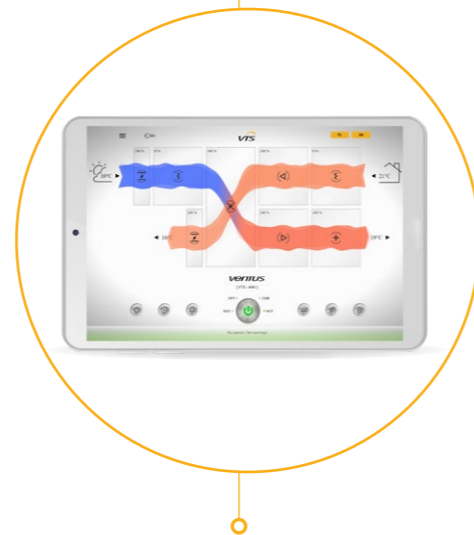
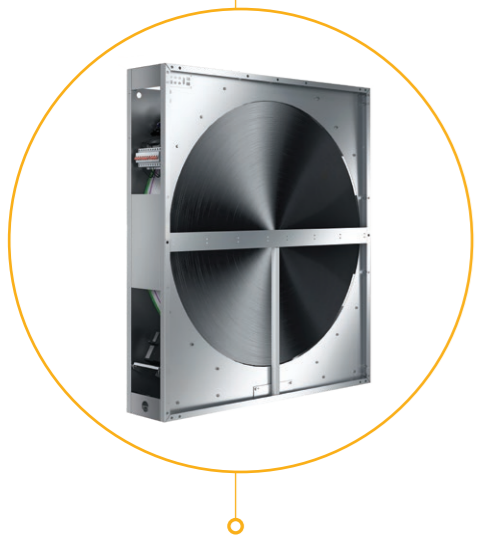
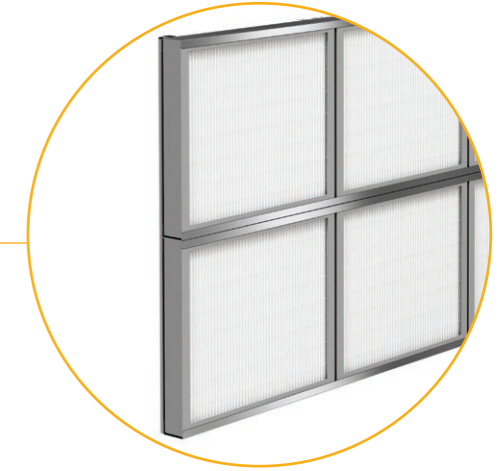
- » Panels filled with mineral wool, closed with steel sheet on both sides.
- » Casing parameters according to EN 1886: T2, TB3, L1, D1, F9.



## MINI-PLEAT FILTERS

High performance filters with wide active filtration cross-section.

- » Supply - EU7 (ePM2,5 65%)
- » Exhaust - EU5 (ePM10 50%)



up to **93%**  
drive efficiency

## ENERGY RECOVERY

- » Highly efficient heat wheel driven by EC motor.
- » Recovery efficiency reaching 86%

## CONTROLS

Multifunctional controls, integrated with the unit – fully pre-configured and ready to run.

## ENERGY RECOVERY

- » Highly efficient counterflow hex recovery with by-pass.
- » Recovery efficiency reaching 93%

## EC MOTORS


Efficient, silent and low vibrations fan with electronically commutated motor in a IE4 class.

# VENTUS COMPACT SUSPENDED AIR HANDLING UNITS

## Base unit overall data

Unit size	Nominal airflow	Airflow range	Height	Width	Duct connection height	Duct connection width
	[m³/h]	[m³/h]	[mm]	[mm]	[mm]	[mm]
VVS005s	500	150 - 650	380	790	318	335
VVS010s	1000	300 - 1100	380	1150	318	515
VVS015s	1500	450 - 1650	380	1550	318	715
VVS020s	2000	600 - 2200	470	1610	408	743
VVS030s	3000	900 - 3300	470	2160	408	1018

## Section length

Unit size		F	H	C	HC
	Base unit	Additional air treatment functions			
	[mm]	[mm]	[mm]	[mm]	[mm]
VVS005s	1230	180	200 - 370	370 - 460	460 - 920
VVS010s	1500	180	200 - 370	370 - 460	460 - 920
VVS015s	1500	180	200 - 370	370 - 460	460 - 920
VVS020s	1828	180	200 - 370	370 - 460	460 - 920
VVS030s	1828	180	200 - 370	370 - 460	460 - 920

## Duct accessories

Dimension WxH [mm]	VVS005s	VVS010s	VVS015s	VVS020s	VVS030s
Flexible connection	305x288	485x288	685x288	730x375	1005x375
Air damper	305x288	485x288	685x288	730x375	1005x375
Rectangle spigot	330x310/300x300	510x310/400x350	710x310/400x350	740x400/500x400	1015x400/800x400
Rounded spigot	330x310/355	510x310/355	710x310/355	740x400/450	1015x400/450



# VENTUS COMPACT FLOOR MOUNTED AIR HANDLING UNITS

## Base unit overall data

Rozmiar centrali	Wydajność nominalna	Zakres wydajności	Wysokość	Szerokość	Wysokość przyłącza kanału	Szerokość przyłącza kanału
	[m³/h]	[m³/h]	[mm]	[mm]	[mm]	[mm]
VVS021c	2100	840 - 2310	991	967	345	860
VVS030c	3000	900 - 3300	1255	967	480	860
VVS040c	4000	1200 - 4400	1255	1174	480	1065
VVS055c	5500	1650 - 6050	1525	1345	615	1235
VVS075c	7500	2250 - 8250	1765	1486	735	1380
VVS100c	10000	3000 - 11000	1965	1666	835	1560
VVS120c	12000	3600 - 13200	2039	1897	870	1790
VVS150c	15000	4500 - 16500	2241	2091	970	1985

Height includes 90 mm base rail

## Base unit lengths

Unit size						
	[mm]	[mm]	[mm]	[mm]	[mm]	[mm]
VVS021c	1240	1080	1080	2 230	2 230	2 500
VVS030c	1240	1080	1080	2 230	2 230	2 500
VVS040c	1240	1080	1080	2 230	2 230	2 500
VVS055c	1240	1080	1080	2 290	2 290	2 560
VVS075c	1240	1080	1080	2 530	2 530	2 800
VVS100c	1300	1300	1080	2 570	2 570	2 800
VVS120c	1300	1300	1080	2 670	2 670	2 900
VVS150c	1300	1300	1080	2 730	2 730	2 940

## Additional section length

Unit size	F	H	C	HC	S
	[mm]	[mm]	[mm]	[mm]	[mm]
VVS021c	240	280 - 420	370 - 550	550 - 700	1080
VVS030c	240	280 - 420	370 - 550	550 - 700	1080
VVS040c	240	280 - 420	370 - 550	550 - 700	1080
VVS055c	240	280 - 420	450 - 630	630 - 780	1080
VVS075c	240	280 - 420	450 - 630	630 - 780	1080
VVS100c	240	280 - 420	650 - 830	830 - 980	1080
VVS120c	240	280 - 420	650 - 830	830 - 980	1080
VVS150c	240	280 - 420	670 - 850	850 - 1000	1080



# VMS – VENTUS MANAGEMENT SYSTEM

VTS supplies control system with a factory-implemented application for remote monitoring and management of the operating parameters of the units in real time via a web browser on any mobile device.

## VENTUS MANAGEMENT SYSTEM:

- » Monitoring and management of the majority of devices from the open visualisation of a single unit,
- » Easy and intuitive change of the operating mode of the unit using a central button,
- » Displaying visualisations on any devices - from PC to mobile devices,
- » Tools for supporting easy and quick setup of the optimal operating schedule of the unit.



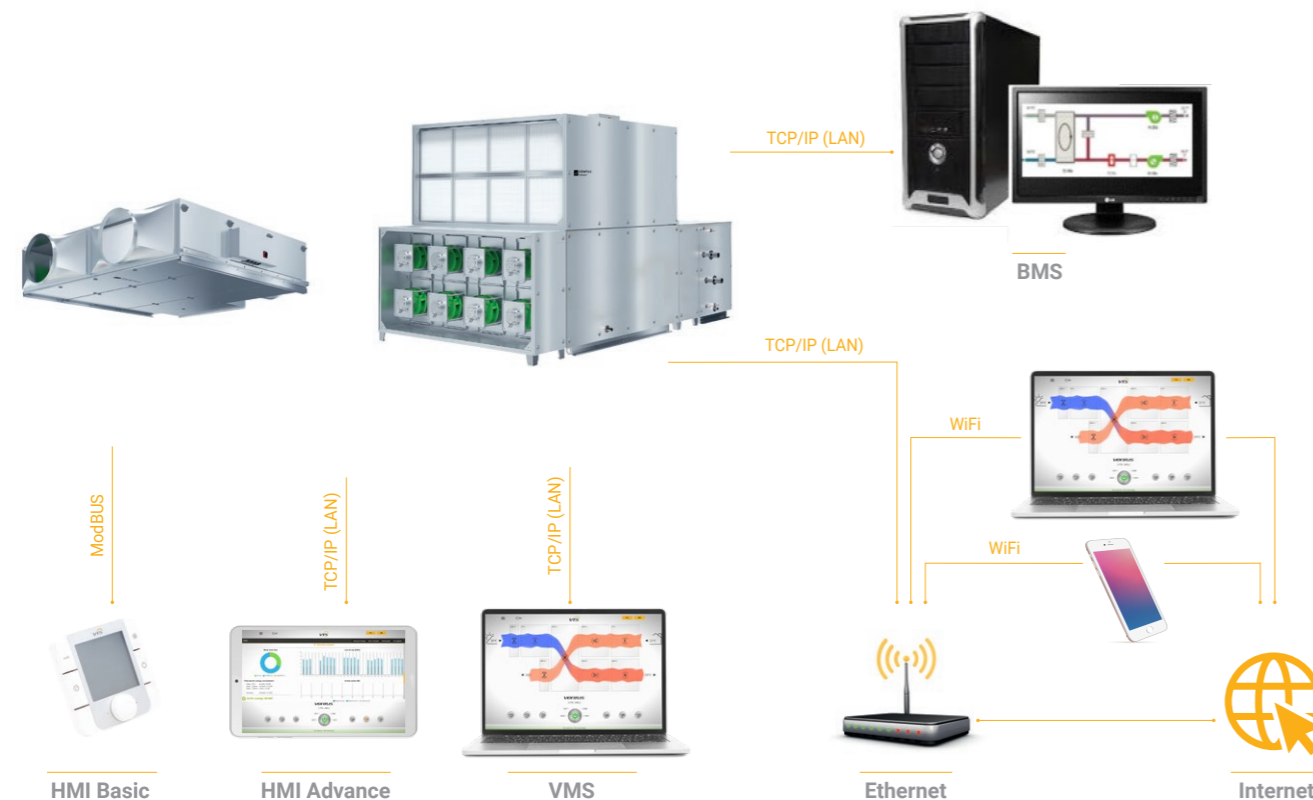
Graphical operation calendar:

- » Changing time intervals using sliders



Faults and alarms handling:

- » Clearing alarms
- » Alarm logging



Charts of unit's operation:

- » Two charts – main and secondary
- » Free selection of the set of parameters for monitoring and assigning them to selected ranges



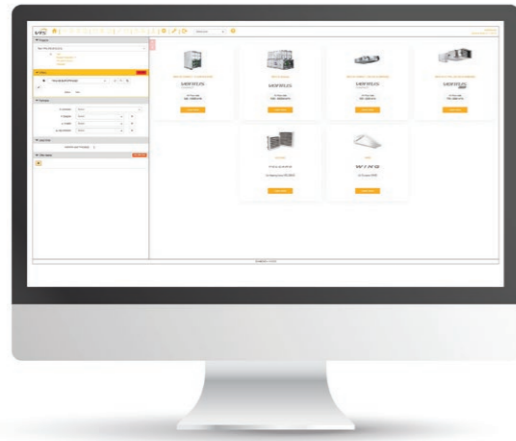
Analysis of savings resulting from the operating scenario used:

- » Graphical representation of the use of particular energy media
- » Costs and savings shown in any currency.

# CLIMACAD ONLINE 4.0 (CCOL 4)

Customized configuration

Integrated savings calculator



Intuitive selection assistant step by step

Integrated with CRM, ERP, WMA system

CCOL4 IS COMPATIBLE WITH:

» all browsers



» all operating system



» all devices

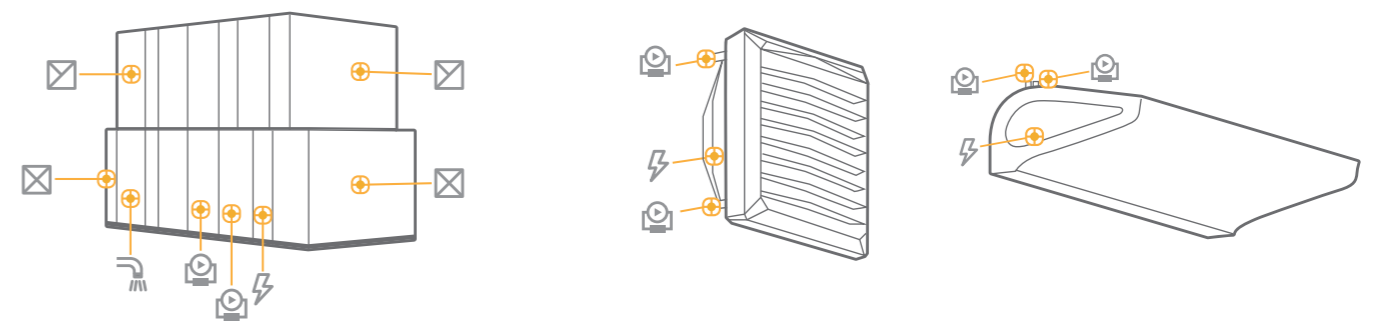
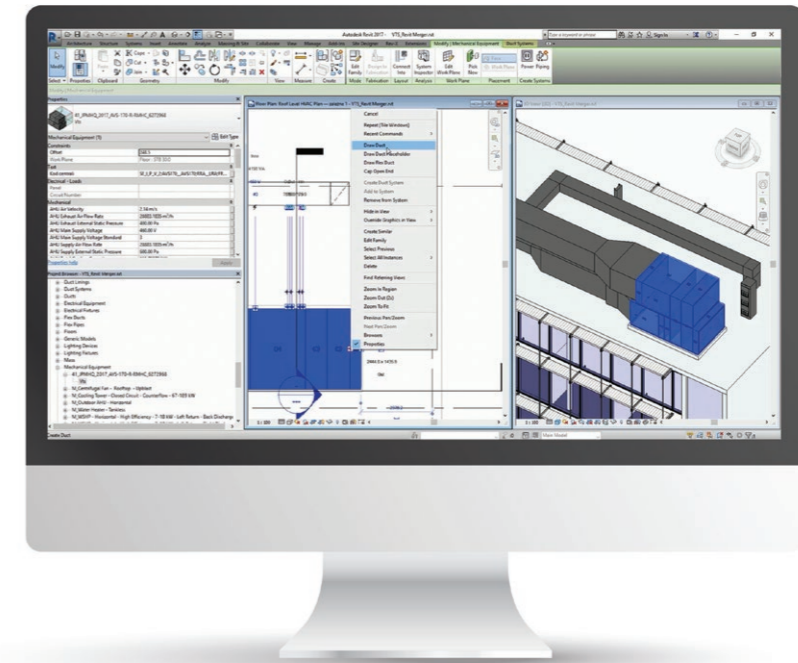


DATA EXPORT TO



# VTS BIM - A NEW APPROACH TO DIGITAL MODELS OF AIR-HANDLING UNITS

VTS has created a possibility of dynamic online generation of digital models of the units VENTUS VVS, VENTUS Compact and American VENTUS AVS. This is possible due to the launch of the new ClimaCAD OnLine 4.0 product selection program that features an .rfa [Revit®] file generator



Generated objects contain detailed parameters connectors:

- » air systems
- » hydraulic systems
- » sanitary systems
- » electric systems

as well as the complete dimensional data, including unit's maintenance and service (repair) zone.

VTS also provides digital models of WING air curtains and VOLCANO air heaters.

The models contain:

- » parametrized electric and hydraulic connectors,
- » mount options vertically and horizontally,
- » presentation of the range of air stream,
- » parameter of any inclination angle of an air heater in relation to the horizontal plane.

Models can be downloaded from: <https://vtsgroup.com/vts-bim>





ZDROFIT GYM



GREEN CAFFE NERO







## **VTS Group Headquarters location and contact**

**VTS Group Headquarters**  
**VTS Group S.A.**  
20, rue de l'Industrie  
L-8399 Windhof, **Luxembourg**  
Phone: +352 20 60 22 41

**Contact**  
**VTS Sp. z o.o.**  
Olivia Tower  
Al. Grunwaldzka 472 A  
80-309 Gdańsk, **Poland**  
T: +48 (58) 628 13 54  
F: +48 (58) 628 13 22  
[vtsgroup@vtsgroup.com](mailto:vtsgroup@vtsgroup.com)

**[www.vtsgroup.com](http://www.vtsgroup.com)**